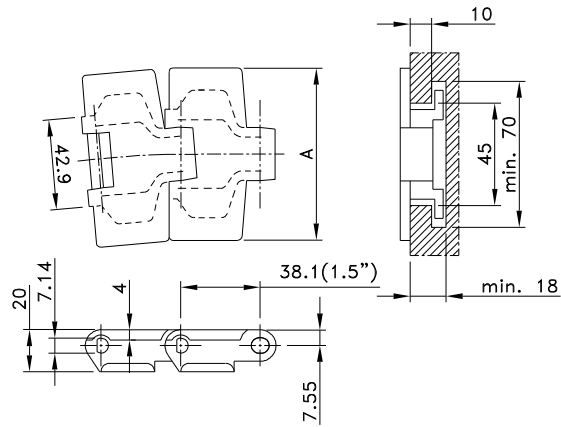


Standard Radius Single Hinge Tab



Chain Type	Code Number	Plate Width		Weight	Sideflex Radius (min)	Working Load (max.)	Backflex Radius (min)	Plate Thickness
		A						
		mm	inch	kg/m	mm	N (21°C)	mm	mm
XL-Acetal								
RH 325 XL	751.42.31	82.5	3.25	0.94	457	2100	50	4.0
RH 450 XL	751.42.42	114.3	4.50	1.08				
LF-Acetal								
LF 880 TAB-K325	L0880604031	82.5	3.25	0.94	457	2100	40	4.0
LF 880 TAB-K343	L0880667941	87.0	3.43	1.01				
LF 880 TAB-K350	L0880641151	88.9	3.50	1.01	500	2100	40	4.0
LF 880 TAB-K450	L0880604041	114.3	4.50	1.08				
LF 880 TAB-K325 plastic pin*	L0880632221	82.5	3.25	0.74	457	1050	40	4.0
LF 880 TAB-K325 non-magnetic pins*	L0880683712	82.5	3.25	0.94				
LF 880 TAB-K450 plastic pin*	L0880648371	114.3	4.50	0.91	500	1050	40	4.0
LF 880 TAB-K450 non-magnetic pins*	L0880605273	114.3	4.50	1.08				
HP-Acetal								
HP 880 TAB-K325	L0880613141	82.5	3.25	0.94	457	2100	40	4.0
HP 880 TAB-K325 non-magnetic pins*	L0880613093	82.5	3.25	0.94				
HP 880 TAB-K450	L0880613151	114.3	4.50	1.08	500	2100	40	4.0
HP 880 TAB-K450 non-magnetic pins*	L0880620563	114.3	4.50	1.08				
BWX-Polyamide Composite								
BWX 880 TAB-K325	L0880652083	82.5	3.25	0.94	457	2100	40	4.0
BWX 880 TAB-K450	L0880648843	114.3	4.50	1.08				
PSX Advanced Performance Polymer Alloy								
PSX 880 TAB-K325	L0880655403	82.5	3.25	0.94	457	2100	40	4.0
PSX 880 TAB-K325 non magnetic pins*	L0880655433	82.5	3.25	0.94				
PSX 880 TAB-K450	L0880655443	114.3	4.50	1.08	500	2100	40	4.0
PSX 880 TAB-K450 non-magnetic pins*	L0880655453	114.3	4.50	1.08				

* Pins made of black reinforced polyamide for non-magnetic or chemical applications. Minimum order quantity 30.48 mtr - 100 feet. Standard length: 3.048 m - 10 feet (80 links).