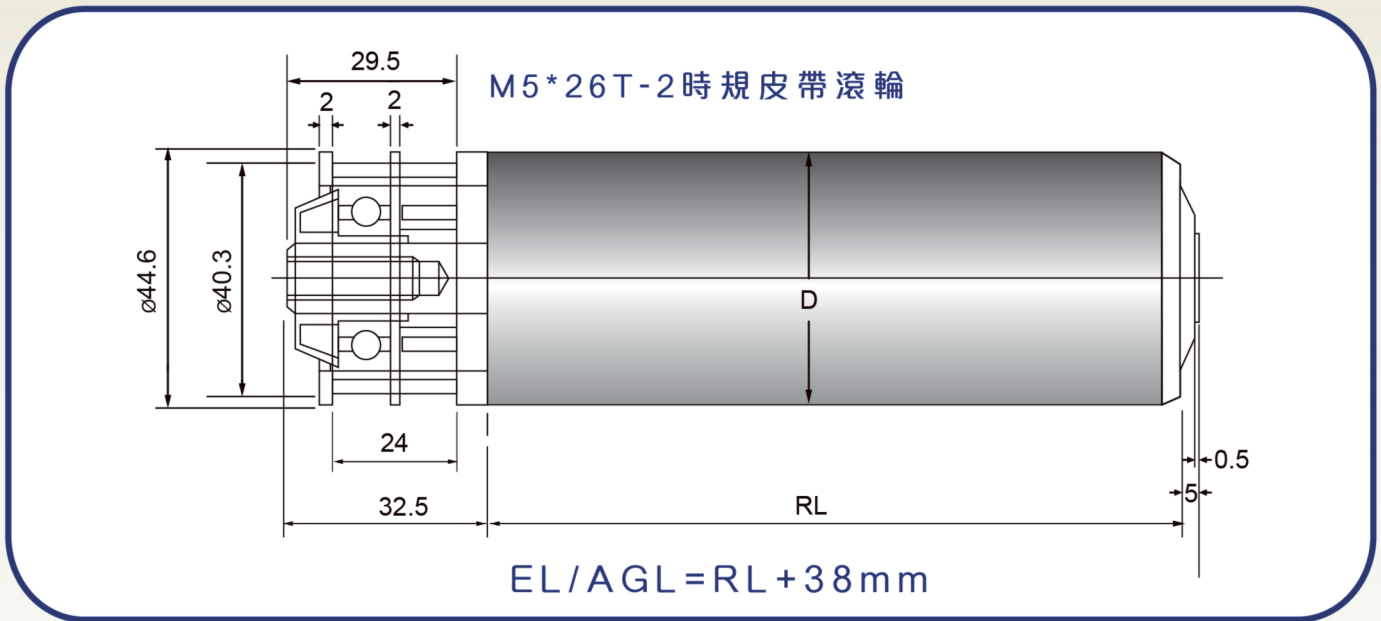


強制時規皮帶式輸送滾筒

內牙軸心 Female threaded spindle

Fixed driven roller with timing belt sprocker

裝配M5,26齒雙排(26T-2)皮帶用塑齒輪 26T-2 plastic sprocker for Timing belt M5



外管材質 Tube Quality	管徑及管厚 D x W	齒輪/齒數 No. Teeth	料號: 滾筒長度RL必須註明 軸心外徑 mm 12mm/M8*20 14mm/M8*20
鋼鍍鋅 Zinc plated steel	50*1.5	26-2	FT2Z.50.15.12.18
	57*1.5	26-2	FT2Z.57.15.12.18
	60*2.0	26-2	FT2Z.60.20.12.18
不鏽鋼 Stainless steel	50*1.5	26-2	FT2S.50.15.12.18
	60*2.0	26-2	FT2S.60.20.12.18
包層管 Stainless-steel-clad tubes	50*1.5	26-2	FT2C.50.15.12.18
	57*1.5	26-2	FT2C.57.15.12.18
	60*2.0	26-2	FT2C.60.20.12.18

◎鋼製雙蓋工業軸承 6002ZZ

◎光圓鐵軸心

※訂貨時請註明EL的長度

※可供應鋼製染黑齒輪(訂貨時請說明需求)

◎Precision bearing 6002ZZ

◎Spindle Steel self color

※Please specify the roller length EL when ordering

※Available in carbon steel with black finish sprockets