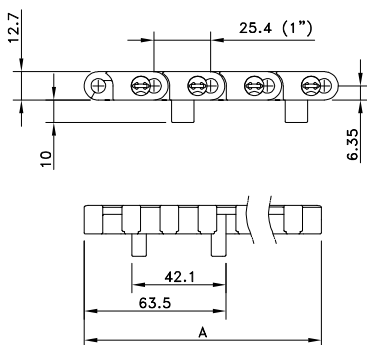


Assembly	Belt Type	Code Number*	Temperature range °C		Working Load (max.) N/m (21°C)	Weight kg/m ²	Backflex Radius (min.) mm
			Dry	Wet			
XLG-Acetal with PBT Pins							
Standard	FT 1005 XLG	877.00.xx	-40 to +80	up to 65	35000	13.50	25
Double positrack	FTDP 1005 XLG	877.01.xx					
Double positrack, freeflow	FFDTP 1005 XLG	877.02.xx					
Mould to width (MTW)	FT 1005 XLG K450 MTW	877.00.00					
MTW double positrack	FTDP 1005 XLG K450 MTW	877.01.00					
PSX Advanced Performance Polymer Alloy with PBT Pins							
Standard	FT 1005 PSX	877.25.xx	-40 to +80	up to 65	35000	13.50	25
Double positrack	FTDP 1005 PSX	877.26.xx					
BWX-Polyamide Composite with PBT Pins							
Standard	FT 1005 BWX	877.27.xx	-40 to +80	not recommended	35000	13.50	25
Double positrack	FTDP 1005 BWX	877.28.xx					
Mould to width (MTW)	FT 1005 BWX K450 MTW	877.14.00					
MTW double positrack	FTDP 1005 BWX K450 MTW	877.15.00					
XP-Polypropylene with PBT Pins							
Standard	FT 1005 XP	877.05.xx	4 to 65	4 to 65	17500	9.00	25
Double positrack	FTDP 1005 XP	877.06.xx					

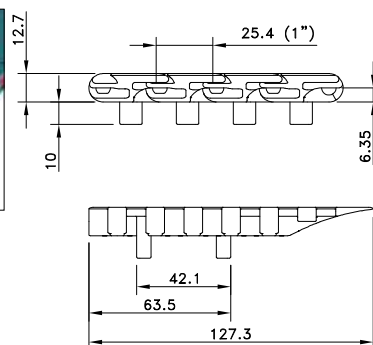
* In code numbers xx corresponds with the belt width (A), starting with 10 for 85 mm, 11 for 170 mm and so on in steps of 85 mm up to 6120 mm. Other sizes upon request. See page 208 for all code numbers.



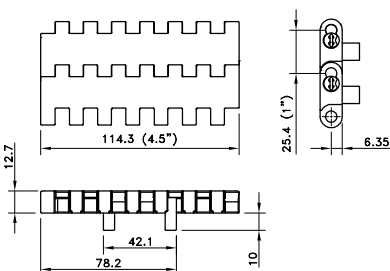
Flat Top 1005 heavy duty belt with integrated FreeFlow



Flat Top 1005 heavy duty belt with Positrack



The double Positrack lugs are positioned on one side of the belt for precise transfer possibilities.



1005 Belt mould to width with double Positrack