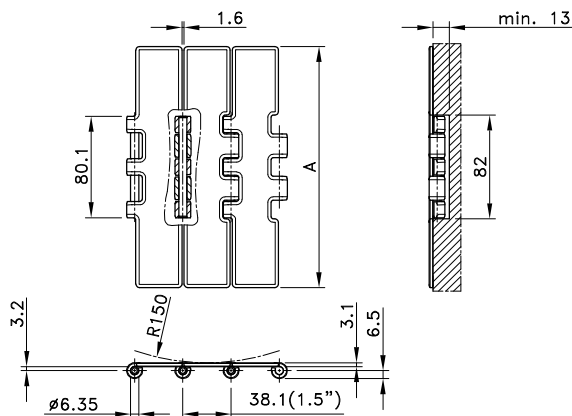


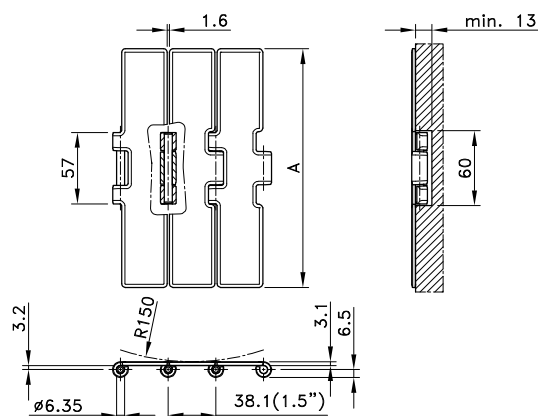
Straight Run Double Hinge Max-Line



Chain Type	Code Number	Plate Width		Weight	Surface Flatness (max.)	Polished Hinge Eyes	Working Load (max.)
		mm	inch				
10-Series							
10 S 77 M	762.13.77	190.5	7.50	5.64	0.60	no	7000
60-Series							
60 S 77 M	762.53.77	190.5	7.50	5.64	0.60	no	8900
66-Series							
66 S 77 M	762.03.77	190.5	7.50	5.64	0.60	no	8900
Ferritic Stainless Steel							
SS 802-K750	10.008.11.16	190.5	7.50	5.64	0.60	no	7000
Opti-Plus							
SSC 802-K450	10.008.21.14	114.3	4.50	4.00	0.25	no	8900
SSC 802-K750	10.008.21.16	190.5	7.50	5.64	0.60	no	
Carbon Steel							
SC 800-K750	10.008.73.16	190.5	7.50	5.64	0.90	no	15000
Austenitic Chrome Nickel							
SS 805-K750	10.008.94.160	190.5	7.50	5.64	0.60	no	5000

Standard length: 3.048 m - 10 feet (80 links).

Straight Run Heavy Duty Max-Line



Chain Type	Code Number	Plate Width		Weight	Surface Flatness (max.)	Polished Hinge Eyes	Working Load (max.)
		mm	inch				
60-Series							
60 S 75 M	762.53.75	190.5	7.50	5.10	0.60	no	7000
66-Series							
66 S 75 M XHB	762.03.75	190.5	7.50	5.10	0.60	no	7000

Standard length: 3.048 m - 10 feet (80 links).

NOTE: 60 S 75 M is recommended for medium duty applications, 66 S 75 M is recommended for heavy duty applications.