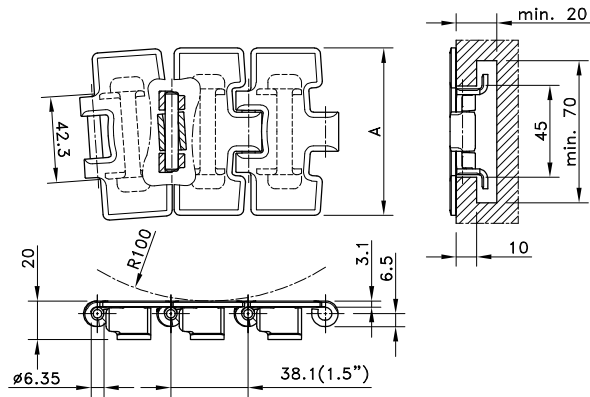


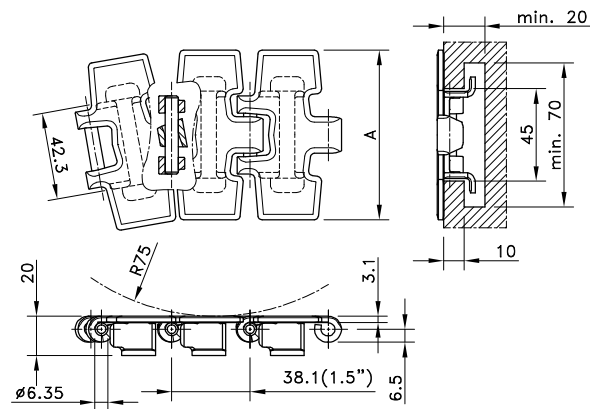
Sideflex Single Hinge Tab Max-Line



Chain Type	Code Number	Plate Width		Weight	Surface Flatness (max.)	Polished Hinge Eyes	Working Load (max.)
		A					
10-Series							
		mm	inch	kg/m	mm		N
10 T 31 M	768.13.01	82.5	3.25	3.10	0.18	no	4950
Opti-Plus							
SSC 8811 TAB-K325	10.114.21.11	82.5	3.25	3.10	0.18	no	6000
SSC 8811 TAB-K350	10.114.21.12	88.9	3.50	3.30	0.18	no	
SSC 8811 TAB-K450	10.114.21.14	114.3	4.50	3.80	0.25	no	
SSC 8811 TAB-K750	10.114.21.16	190.5	7.50	5.50	0.60	no	

Standard length: 3.048 m - 10 feet (80 links).
Sideflex radius min. 500 mm.

Sideflex Single Hinge Small Radius



Chain Type	Code Number	Plate Width		Weight	Surface Flatness (max.)	Polished Hinge Eyes	Working Load (max.)
		A					
		mm	inch	kg/m	mm		N
Opti-Plus							
SSR 8811 TAB BO-K325	62969	82.5	3.25	3.10	0.18	no	4500

Standard length: 3.048 m - 10 feet (80 links).
Sideflex radius min. 200 mm.