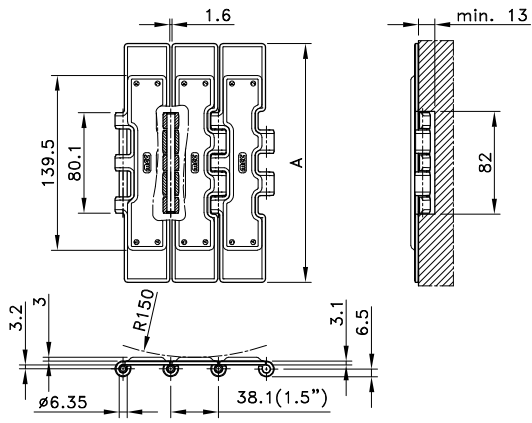


Straight Run Double Hinge Max-Line RubberTop®



Chain Type	Code Number	Plate Width A		Weight kg/m	Polished Hinge Eyes	Working Load (max.) N
		mm	inch			
66-Series						
66 S 77 RM	762.06.72	190.5	7.50	6.20	no	8900

Standard length: 3.048 m - 10 feet (80 links).

