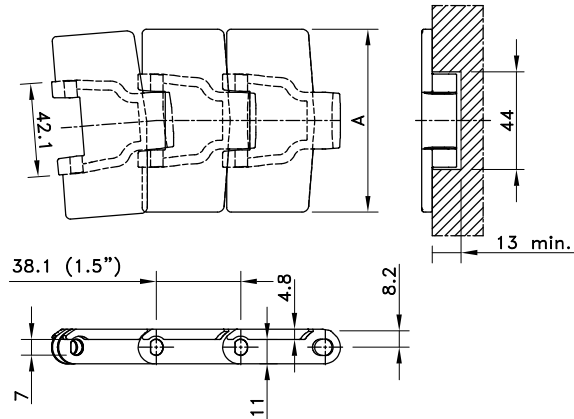


Chain Type	Code Number	Plate Width A		Weight kg/m	Sideflex Radius (min) mm	Working Load (max.) N (21°C)	Backflex Radius (min) mm	Plate Thickness mm
		mm	inch					
<b>XL-Acetal</b>								
RHMP 325 XL	781.10.07	82.5	3.25	0.82	500	2100	50	4,0
RHMP 84 XL	781.10.13	83.8	3.30	0.82				
RHM 350 XL	781.12.32	88.9	3.50	1.10	457			
RHM 450 XL	781.12.42	114.3	4.50	1.16				
<b>HP-Acetal</b>								
RHMP 325 HP	781.10.20	82.5	3.25	0.82	500	2100	50	4,0
<b>PSX Advanced Performance Polymer Alloy</b>								
RHMP 325 PSX	781.10.48	82.5	3.25	0.82	500	2100	50	4,0
RHMP 84 PSX	781.10.46	83.8	3.30	0.82				
<b>BWX-Polyamide Composite</b>								
RHMP 84 BWX	781.10.49	83.8	3.30	0.82	500	2100	50	4,0

Standard length: 3.048 m - 10 feet (80 links).

**Magnetflex® With Thick Top Plate**



Chain Type	Code Number	Plate Width A		Weight kg/m	Sideflex Radius (min) mm	Working Load (max.) N (21°C)	Backflex Radius (min) mm	Plate Thickness mm
		mm	inch					
<b>XL-Acetal</b>								
RHMDP 325 XL	781.10.10	82.5	3.25	1.08	500	2100	50	4,8
RHMD 450 XL	781.22.42	114.3	4.50	1.26				
<b>PSX Advanced Performance Polymer Alloy</b>								
RHMDP 325 PSX	781.10.47	82.5	3.25	0.87	500	2100	50	4,8

Standard length: 3.048 m - 10 feet (80 links).