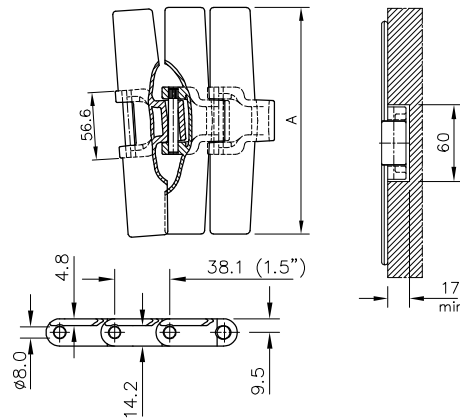


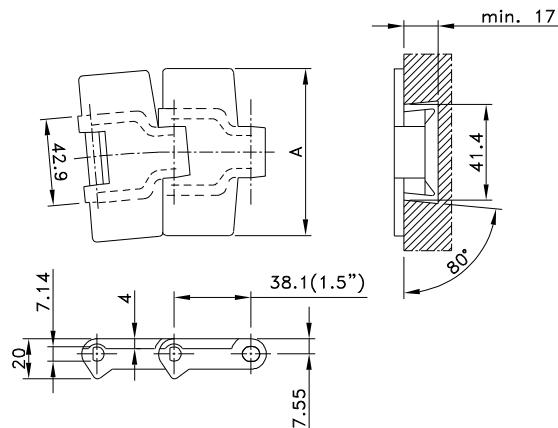
# Magnetflex® Heavy Duty



Chain Type	Code Number	Plate Width A		Weight kg/m	Working Load (max.) N (21°C)	Backflex Radius (min) mm	Sideflex Radius (min) mm	Plate Thickness mm
		mm	inch					
<b>XL-Acetal</b>								
HDFM 750 XL	751.32.72	190.5	7.50	2.16	3830	50	610	4.8
HDFM 1000 XL	751.32.90	254.0	10.00	2.42				
HDFM 1200 XL	751.32.92	304.8	12.00	2.69				

Standard length: 3.048 m - 10 feet (80 links).

# Standard Radius Single Hinge Bevel



Chain Type	Code Number	Plate Width A		Weight kg/m	Sideflex Radius (min) mm	Working Load (max.) N (21°C)	Backflex Radius (min) mm	Plate Thickness mm
		mm	inch					
<b>LF-Acetal</b>								
LF 880-K325	L0880603981	82.5	3.25	0.89	457	2100	40	4.0
LF 880-K450	L0880603991	114.3	4.50	1.04				
<b>BWX-Polyamide Composite</b>								
BWX 880-K325	L0880651953	82.5	3.25	0.89	457	2100	40	4.0
BWX 880-K450	L0880649743	114.3	4.50	1.04				

Standard length: 3.048 m - 10 feet (80 links).