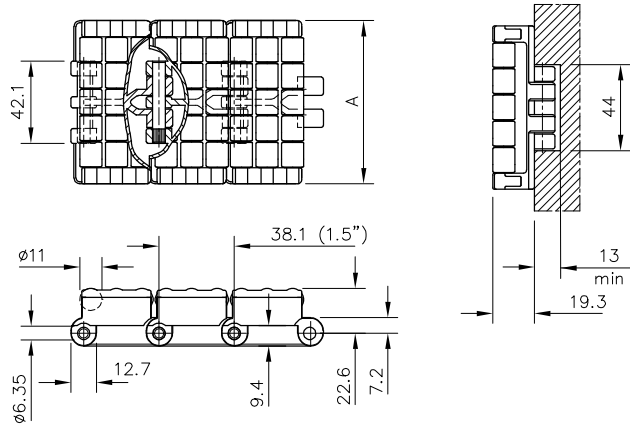


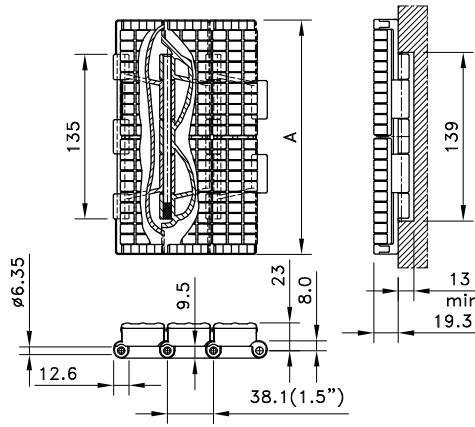
Straight Run Single Hinge LBP



Chain Type	Code Number	Plate Width		Weight	Working Load (max.)	Backflex Radius (min)	Plate Thickness
		A					
		mm	inch	kg/m	N (21°C)	mm	mm
XLA-Acetal							
SHD 325 LBP	752.85.09	82.5	3.25	2.20	1230	400	4.8

Standard length: 1.524 m - 5 feet (40 links).

Straight Run Double Hinge LBP



Chain Type	Code Number	Plate Width		Weight	Working Load (max.)	Backflex Radius (min)	Plate Thickness
		A					
		mm	inch	kg/m	N (21°C)	mm	mm
XLA-Acetal							
SWH 750 LBP	752.82.09	190.5	7.50	5.30	2680	300	4.8
SWH 1000 LBP	752.82.11	254.0	10.00	6.60			
SWH 1200 LBP	752.82.10	304.8	12.00	7.85			

Standard length: 1.524 m - 5 feet (40 links).