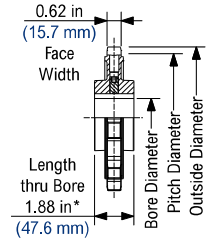
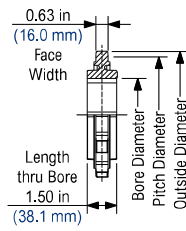
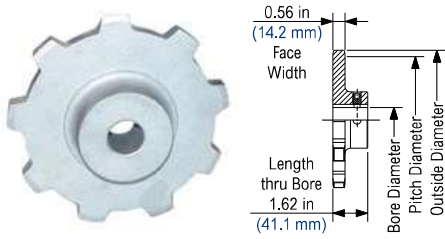


5996 Cast Iron Sprocket

SS5996 Stainless Steel Sprocket

N5996 Thermoplastic Sprocket Molded in Acetal



5996 Cast Iron Sprocket Information

Number of Teeth		Pitch Diameter		Outside Diameter		Bore Diameter (Shaft-Ready)								Bore Diameter (Round)				Approximate Weight	
						Round				Square				in		mm			
						in	mm	in	mm	in	mm	in	mm	min	max	min	max		
actual	effect	in	mm	in	mm	min	max	min	max	min	max	min	max	min	max	min	max	lbs	kg
9	9	6.579	167.11	6.46	164.1	1	2	-	-	-	-	-	-	1	2	-	-	4.08	1.85

Shaft-ready round bore sprockets are shipped with keyway and setscrew.

SS5996 Stainless Steel Sprocket Information

Number of Teeth		Pitch Diameter		Outside Diameter		Bore Diameter (Shaft-Ready)								Bore Diameter (Round)		Approximate Weight	
						Round				Square				in	mm	lbs	kg
						in	mm	in	mm	in	mm	in	mm	in	mm	lbs	kg
9	9	6.579	167.11	6.46	164.1	-	-	2 1/2	-	-	-	-	-	-	-	4.82	2.19
14	14	10.111	256.82	9.98	253.5	-	-	2 1/2	-	-	-	-	-	-	-	7.50	3.40

N5996 Thermoplastic Sprocket Molded in Acetal (POM) — Imperial Information

Number of Teeth		Pitch Diameter		Outside Diameter		Imperial Bore Diameter														Approximate Weight				
						Round												Square		lbs	kg			
						Hex	Round											Square		lbs	kg			
7	7	5.186	131.72	4.94	125.5	-	-	-	-	-	-	-	-	-	-	-	-	1 1/2	-	-	0.49	0.22		
9	9	6.579	167.11	6.46	164.1	-	-	1 3/16	1 1/4	1 3/8	1 7/16	1 1/2	1 3/4	1 15/16	2	-	2 7/16	-	1 1/2	2	2 1/2	3 1/2	0.88	0.40
14	14	10.111	256.82	10.10	256.5	2	2 1/2	-	-	-	-	-	-	-	2	2 3/16	-	3 7/16	-	2	2 1/2	3 1/2	1.60	0.73
17	17	12.245	311.02	12.36	313.9	-	-	-	-	-	-	-	-	-	-	-	-	-	-	2	2 1/2	3 1/2	1.71	0.78

Shaft-ready round bore sprockets are shipped with keyway and setscrew. *17T sprocket length through bore dimensions is 2.25 in (57.2 mm).

N5996 Thermoplastic Sprocket Molded in Acetal (POM) — Metric Information

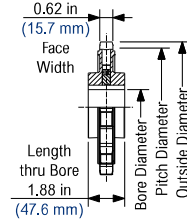
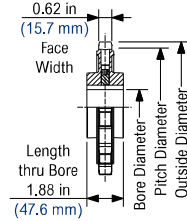
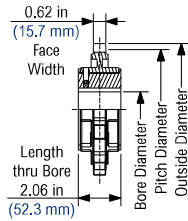
Number of Teeth		Pitch Diameter		Outside Diameter		Metric Bore Diameter								Approximate Weight	
						Hex		Square						lbs	kg
						mm	mm	mm	mm	mm	mm	mm	mm	mm	mm
7	7	5.186	131.72	4.94	125.5	-	-	40	-	-	-	-	-	0.49	0.22
9	9	6.579	167.11	6.46	164.1	-	-	40	50	65	-	-	-	0.88	0.40
14	14	10.111	256.82	10.10	256.5	50	65	40	50	65	90	-	-	1.60	0.73

Shaft-ready round bore sprockets are shipped with keyway and setscrew.

NS5996 Thermoplastic Split Sprocket

N5996 Thermoplastic Sprocket Molded in HS

N5996 Thermoplastic Sprocket Molded in PE



NS5996 Thermoplastic Split Sprocket Information

Number of Teeth		Pitch Diameter		Outside Diameter		Bore Diameter (Shaft-Ready)								Bore Diameter (Idler)				Approximate Weight	
						Round				Square				in		mm			
						in	mm	min	max	min	max	min	max	min	max	min	max		
actual	effect	in	mm	in	mm	min	max	min	max	min	max	min	max	min	max	min	max	lbs	kg
9	9	6.579	167.11	6.46	164.1	1	2 5/8	25	70	1	3 1/2*	25	90*	1	2 3/4	25	70	1.68	0.76
12	12	8.693	220.80	8.70	221.0	1	2 3/4	25	70	1	3 1/2*	25	90*	1	2 3/4	25	70	1.98	0.90
14	14	10.111	256.82	10.03	254.8	1	4 1/2	25	120	1	4 1/2**	25	120**	1	3 1/2	25	90	2.12	0.96

* The 3-1/2 in and 90 mm bores for the 9 and 12 tooth square bore sprockets are supplied as molded bores. All other bores are supplied with split bore adapters.

** The 3-1/2 in, 4-1/2 in, 90 mm and 120 mm bores for the 14 tooth square bore sprockets are supplied as molded bores. All other bores are supplied with split bore adapters.

Imperial shaft-ready round bore sprockets are shipped with keyway and setscrew. Metric shaft-ready round bore sprockets are shipped with keyway and no setscrew. Idler bores are designed to spin freely on the shaft. Similar bore sizes are available with the use of split plastic adapters.

N5996 Thermoplastic Sprocket Molded in HS (Heat Stabilized) — Imperial Information

Number of Teeth		Pitch Diameter		Outside Diameter		Imperial Bore Diameter						Approximate Weight			
						Square									
						in									
actual	effect	in	mm	in	mm							lbs	kg		
9	9	6.579	167.11	6.46	164.1	1 1/2 in			2 in			3 1/2 in		0.88	0.40

Shaft-ready round bore sprockets are shipped with keyway and setscrew.

N5996 Thermoplastic Sprocket Molded in HS (Heat Stabilized) — Metric Information

Number of Teeth		Pitch Diameter		Outside Diameter		Metric Bore Diameter						Approximate Weight	
						Square							
						mm							
actual	effect	in	mm	in	mm							lbs	kg
9	9	6.579	167.11	6.46	164.1	40			-			0.88	0.40
14	14	10.111	256.82	10.10	256.5	-			90			1.60	0.73

Shaft-ready round bore sprockets are shipped with keyway and setscrew.

N5996 Thermoplastic Sprocket Molded in PE (Polyethylene) — Imperial Information

Number of Teeth		Pitch Diameter		Outside Diameter		Imperial Bore Diameter						Approximate Weight		
						Round			Square					
						in			in					
actual	effect	in	mm	in	mm							lbs	kg	
7	7	5.186	131.72	4.94	125.5	-	-	-	1 1/2	-	-	-	0.38	0.17
9	9	6.579	167.11	6.46	164.1	-	-	-	1 1/2	2	2 1/2	-	0.69	0.31

Shaft-ready round bore sprockets are shipped with keyway and setscrew.

Rexnord 5990 Series MatTop Chain Compatible Sprockets

5996 Pusher Attachment (F-Style)

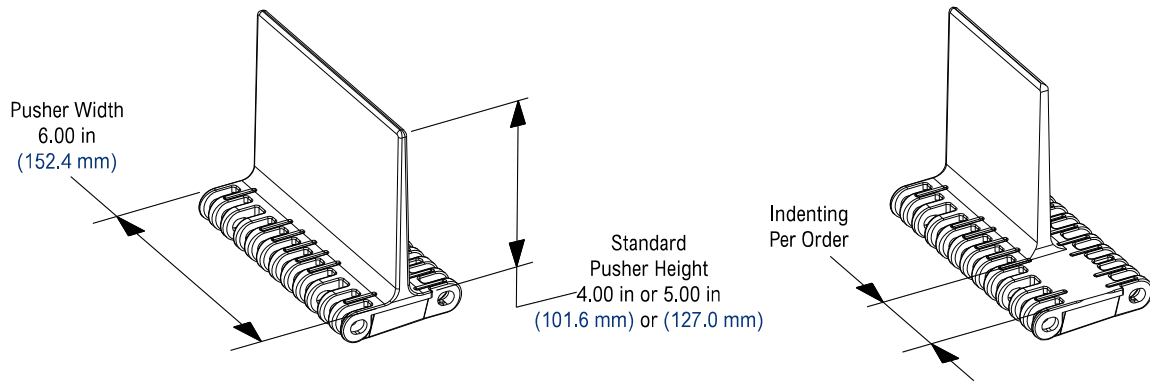
All pusher attachments are molded 6 in (152.4 mm) wide and can be cut down to a minimum height of 1/4 in (6.35 mm).

The F4 designation represents an F-style pusher attachment at a height of 4 in (101.6 mm).

Please indicate if pusher attachments are required every pitch, every second pitch, etc. when ordering. Also, indicate if indents are required in the center, on one or both sides of the chain.

For example, "I would like F4 pusher attachments every 8th pitch indented 3/4 in on both sides of the chain."

For 5996 chain only.



5998 Pusher Attachment (F-Style)

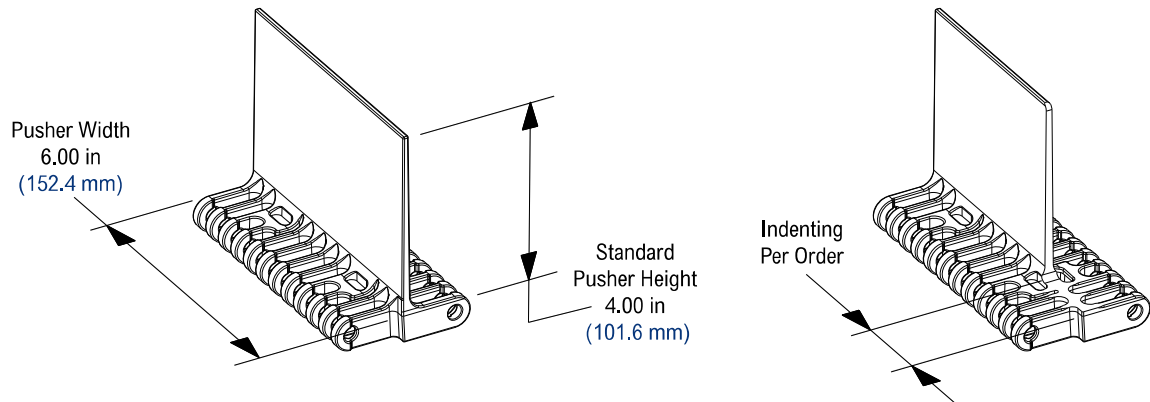
All pusher attachments are molded 6 in (152.4 mm) wide and can be cut down to a minimum height of 1/4 in (6.35 mm).

The F4 designation represents an F-style pusher attachment at a height of 4 in (101.6 mm).

Please indicate if pusher attachments are required every pitch, every second pitch, etc. when ordering. Also, indicate if indents are required in the center, on one or both sides of the chain.

For example, "I would like F4 pusher attachments every 8th pitch indented 3/4 in on both sides of the chain."

For 5998 chain only.



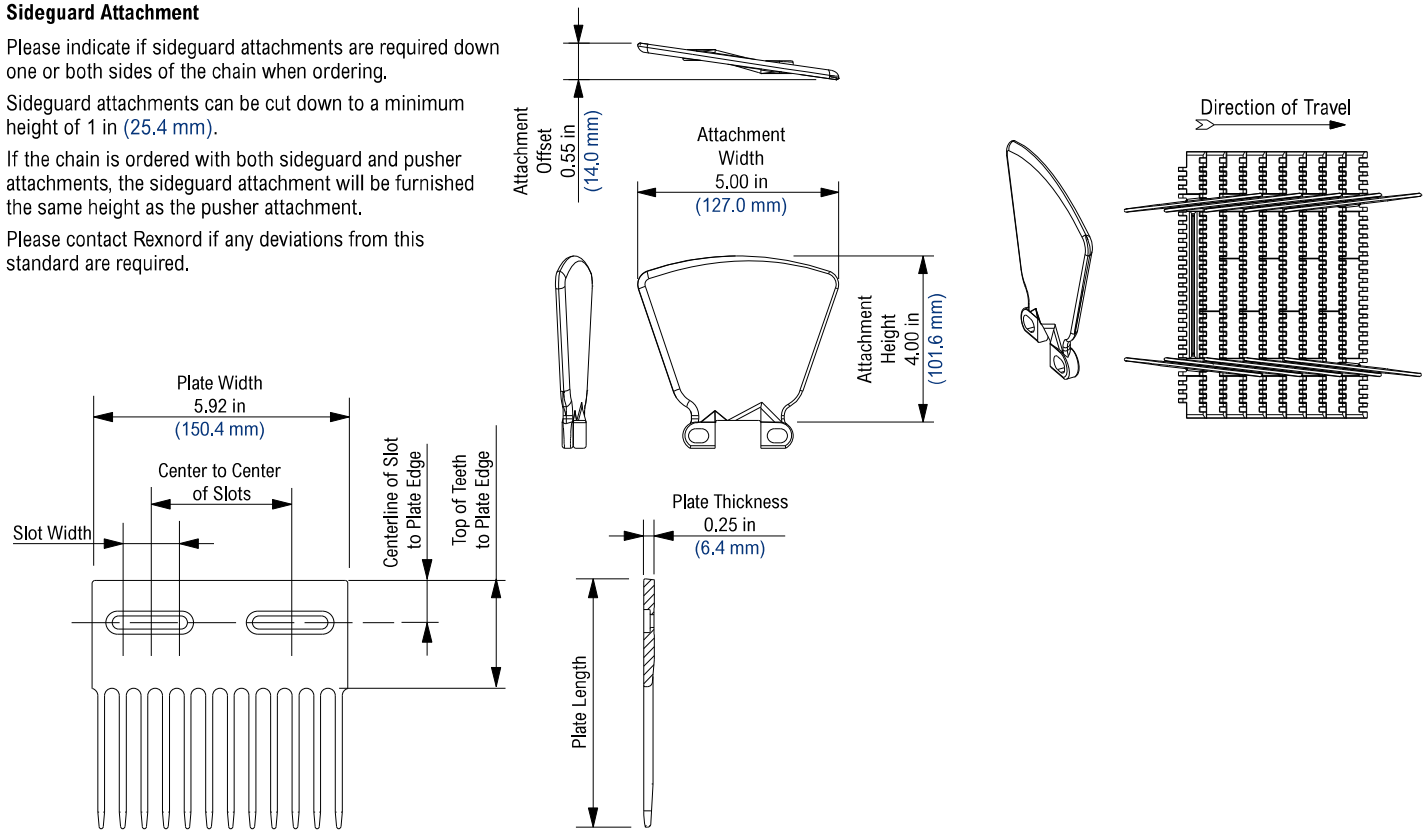
Sideguard Attachment

Please indicate if sideguard attachments are required down one or both sides of the chain when ordering.

Sideguard attachments can be cut down to a minimum height of 1 in (25.4 mm).

If the chain is ordered with both sideguard and pusher attachments, the sideguard attachment will be furnished the same height as the pusher attachment.

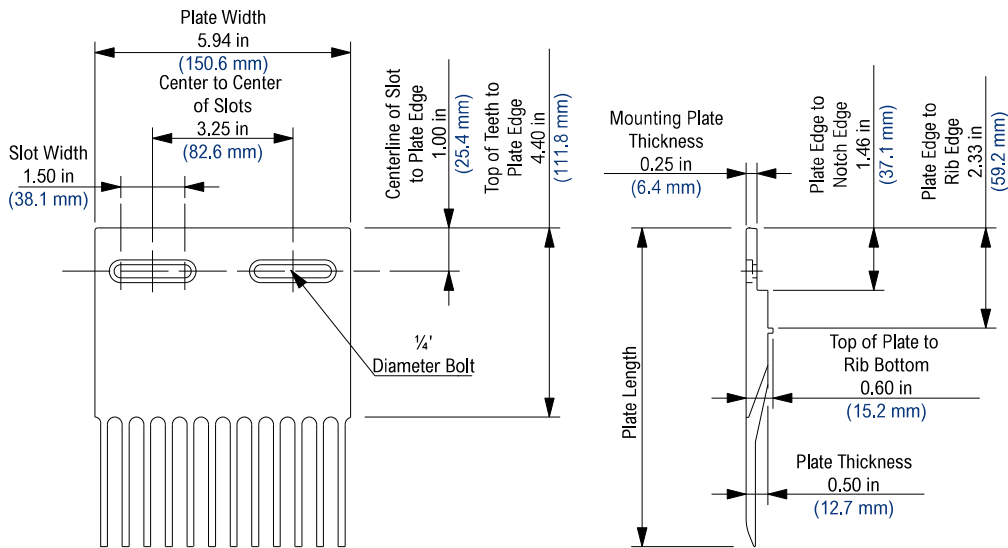
Please contact Rexnord if any deviations from this standard are required.



4707/5997 Transfer Comb Kit

Transfer Comb Kit Number	Transfer Plate Part Number	Screw Part Number	Slot Caps Part Number	Plate Length		Slot Width		Centerline of Slot to Plate Edge		Top of Teeth to Plate Edge		Center to Center of Slots		Approximate Weight	
				in	mm	in	mm	in	mm	in	mm	in	mm	lbs	kg
10131495	10074648	10075965	10069160	6.18	157.0	1.50	38.1	1.00	25.4	4.40	111.8	3.25	82.6	0.48	0.22
10131813	10070598	10075965	10075964	5.75	146.1	0.75	19.1	1.00	25.4	2.24	56.9	4.00	101.6	0.24	0.11
10131834	10075632	10075965	10069160	8.50	215.9	1.50	38.1	2.00	50.8	3.50	88.9	3.25	82.6	0.28	0.13
10131838	10069161	10075965	10069160	7.50	190.5	1.50	38.1	1.00	25.4	2.50	63.5	3.25	82.6	0.30	0.14

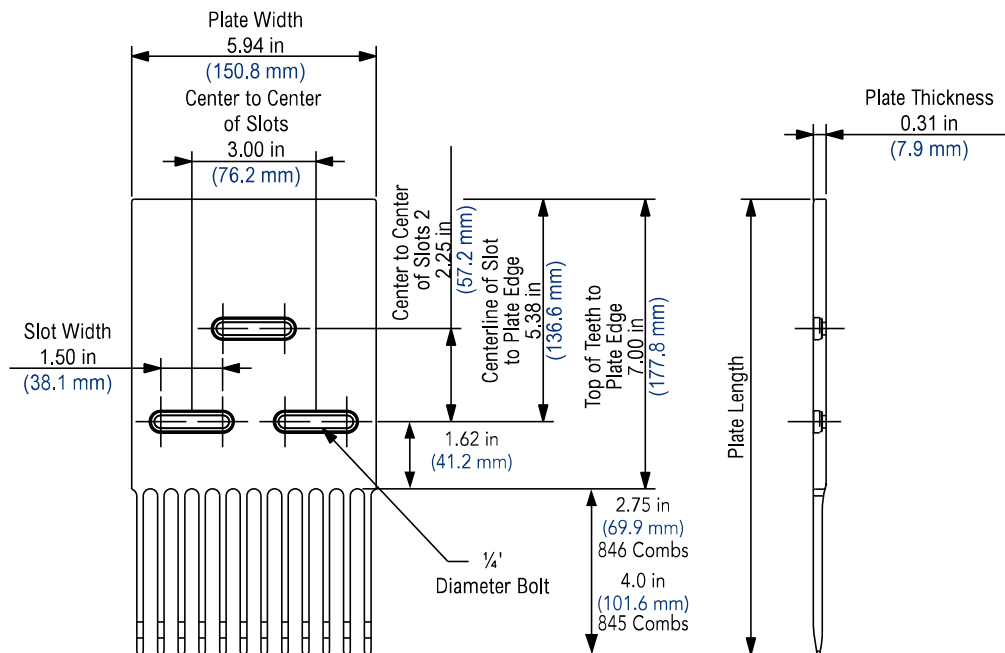
The 10070598 transfer comb is molded in white acetal. The 10075632 and 10069161 transfer combs are molded in a proprietary black internally lubricated high temperature material. Transfer comb kits are supplied with 1/4 x 20 screws and slot caps. For 4707 and 5997 chains only.



4707/5997/fortex Heavy Duty Transfer Comb Kit

Transfer Comb Kit Number	Transfer Plate Part Number	Screw Part Number	Slot Caps Part Number	Plate Length		Slot Width		Centerline of Slot to Plate Edge		Top of Teeth to Plate Edge		Center to Center of Slots		Approximate Weight	
				in	mm	in	mm	in	mm	in	mm	in	mm	lbs	kg
10131497	10074649	10075965	10069160	7.95	201.9	1.50	38.1	1.00	25.4	4.40	111.8	3.25	82.6	0.53	0.24
10131499	10071978	10075965	10069160	7.95	201.9	1.50	38.1	1.00	25.4	4.40	111.8	3.25	82.6	0.53	0.24

Transfer combs are molded in a proprietary black internally lubricated high temperature material. Transfer comb kits are supplied with 1/4 x 20 screws and slot caps. For 5997, 4707 and 9200 chains only. The 10071978 transfer comb has the bottom rib removed.



4707/5997/Fortex Retrofit Transfer Comb Kit

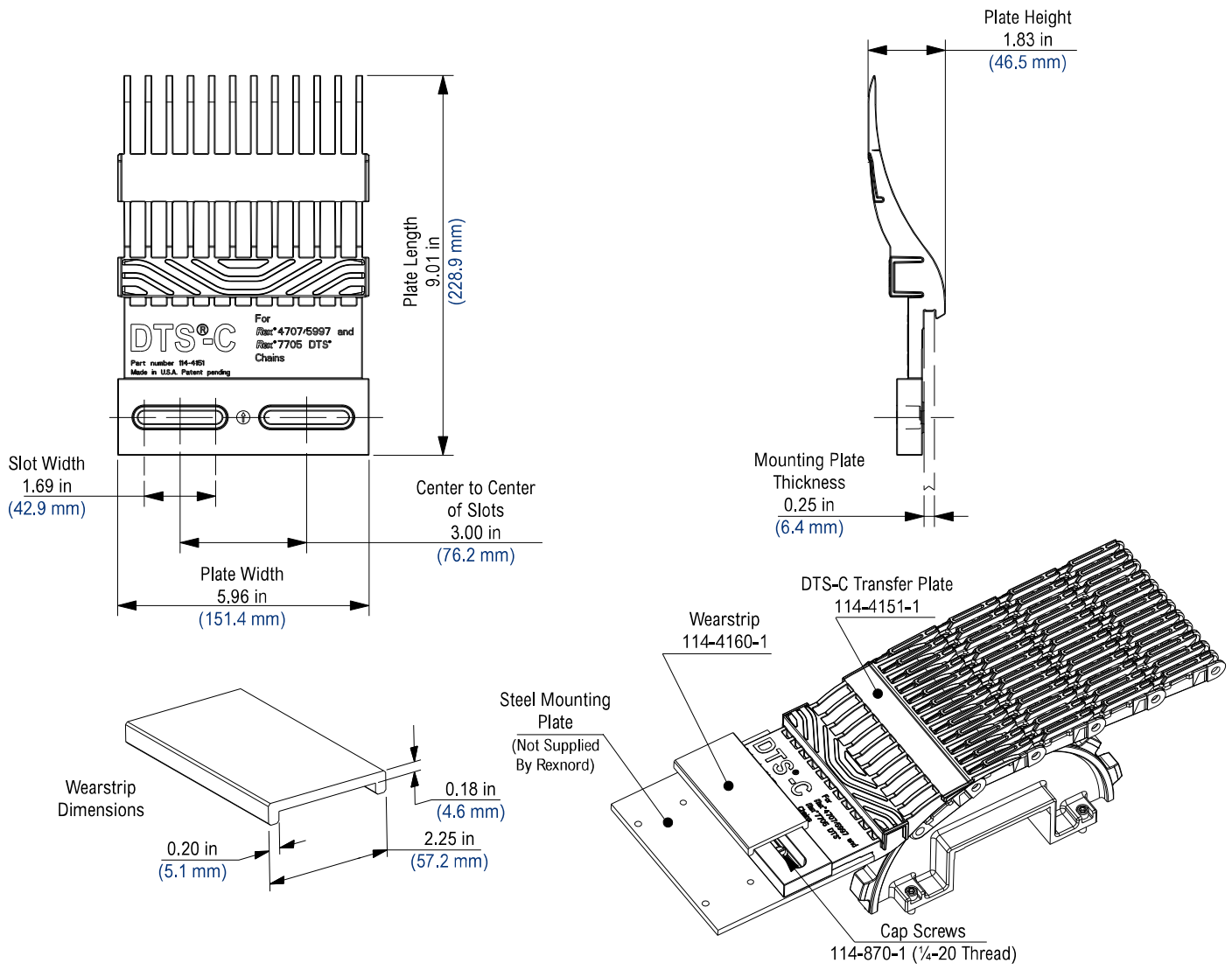
Transfer Comb Kit Number	Transfer Plate Part Number	Screw Part Number	Slot Caps Part Number	Plate Length		Slot Width		Distance From Centerline of Slot to Plate Edge		Distance From Top of Teeth to Plate Edge		Distance Between Center to Center of Slots		Approximate Weight	
				in	mm	in	mm	in	mm	in	mm	in	mm	lbs	kg
10131941	10074860	10075965	10069160	11.00	279.4	1.50	38.1	5.38	136.7	7.00	177.8	3.00	76.2	0.31	0.14
10323925	10074860	10177423	10069160	11.00	279.4	1.50	38.1	5.38	136.7	7.00	177.8	3.00	76.2	0.31	0.14
10131942	10074861	10075965	10069160	9.75	247.7	1.50	38.1	5.38	136.7	7.00	177.8	3.00	76.2	0.28	0.13
10131943	10074861	10177423	10069160	9.75	247.7	1.50	38.1	5.38	136.7	7.00	177.8	3.00	76.2	0.28	0.13

Transfer combs are molded in a proprietary black internally lubricated high temperature material.

The 10131941 and 10131942 transfer comb kits are supplied with 1/4 x 20 screws and slot caps.

The 10323925 and 10131943 transfer comb kits are supplied with M6 x 1 screws and slot caps.

For 5997 and 9200 chains only.



DTS-C Component Part Numbers

Component Description	Kit Part Number	Comb Part Number	Screw Part Number	Wearstrip Part Number (10 ft length)	For Use With		
					Raised Rib Chain	DTS Chain	Takeway Chain
DTS-C Comb Kit	10131580	10073051	10075965	NA	4707, 5997, 9217, 9227, or 9237	7705DTS-450	7705, 7706 or 1055
Wearstrip	NA			10073065			

Each kit includes one comb and two mounting screws.
 Wearstrip is sold in 10 ft (3.048 m) lengths and is sold separately.