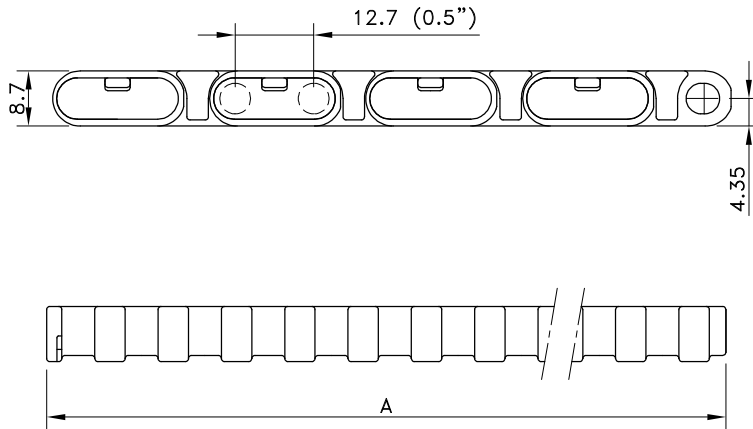
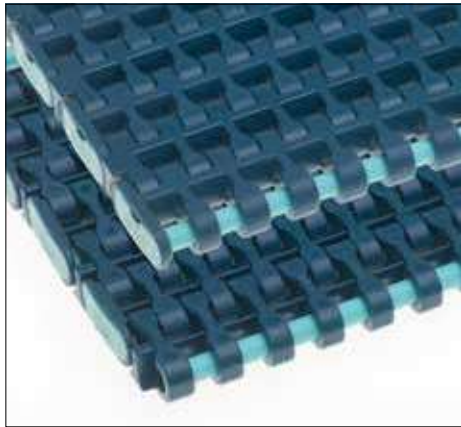
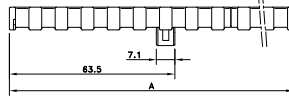
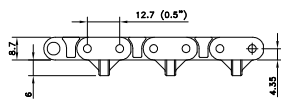


Flush Grid 500



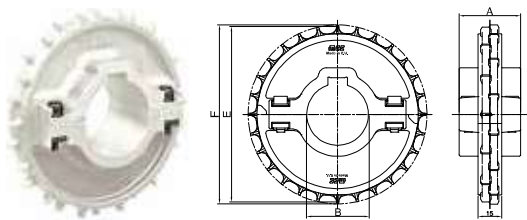
Assembly	Belt Type	Code Number*	Temperature range °C		Working Load (max) N/m (21°C)	Weight kg/m ²	Backflex Radius (min.) mm
			Dry	Wet			
XLG-Acetal With Polypropylene Pins							
STANDARD	FG 500 XLG	857.40.xx	4 to 80	4 to 65	13000	6.00	8
POSITRACK LEFT	FGP 500 XLG	874.05.xx					
POSITRACK RIGHT	FGP 500 XLG	874.06.xx					
POSITRACK TWO SIDES	FGP 500 XLG	874.04.xx					

* In code numbers xx corresponds with the belt width (A), starting with 10 for 85 mm, 11 for 170 mm and so on in steps of 85 mm. See page 208 for all code numbers. Cut to width options upon request.

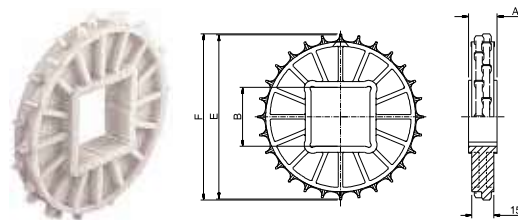


Left: Flush Grid 500 Belt With Positrack
Right: Positrack

Split Sprockets



Classic Sprockets



Sprocket Type	Code Number	Number of Teeth	Bore	Pitch Diameter E	Outside Diameter F	Hub Width A
			B			
			mm/inch	mm	mm	mm
Round Bores						
NS500-28T_30MM_1KW_PA	10302795	28	30 mm	113.4	113.4	39
NS500-28T_40MM_1KW_PA	10148194	28	40 mm			
NS500-28T_1-1/2IN_1KW_PA	10148196	28	1.5"			
Square bores						
NS500-28T_40MM_S_PA	10148195	28	40 mm	113.4	113.4	39
NS500-28T_1-1/2IN_S_PA	10328184	28	1.5"			
Classic sprockets						
Round Bores						
N500-16T_25MM_2KW_PA	10148170	16	25 mm	65.2	65.2	20
N500-16T_30MM_2KW_PA	10334318	16	30 mm			
N500-28T_25MM_2KW_PA	10148166	28	25 mm	113.4	113.4	
N500-28T_30MM_2KW_PA	10148167	28	30 mm			
N500-28T_40MM_2KW_PA	10148165	28	40 mm			
N500-28T_1-1/2IN_2KW_PA	10148169	28	1.5"			
N500-38T_40MM_2KW_PA	10148164	38	40 mm	153.8	153.1	
Square Bores						
N500-28T_40MM_S_PA	10148168	28	40 mm	113.4	113.4	20
N500-28T_60MM_S_PA	10334323	28	60 mm			